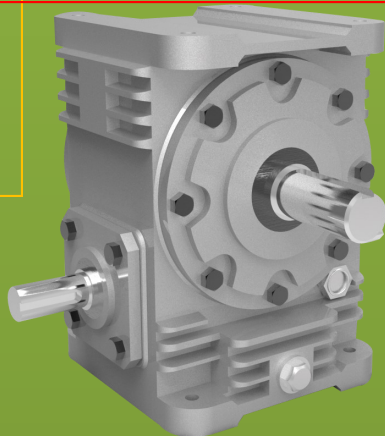
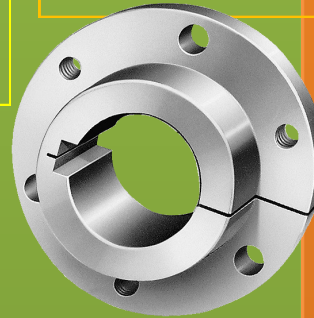
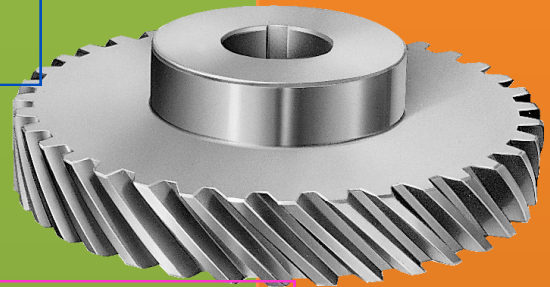
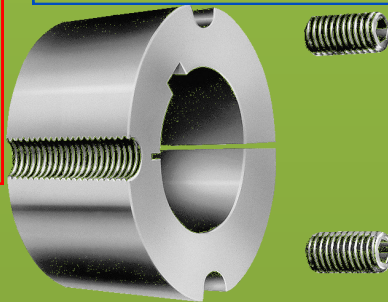
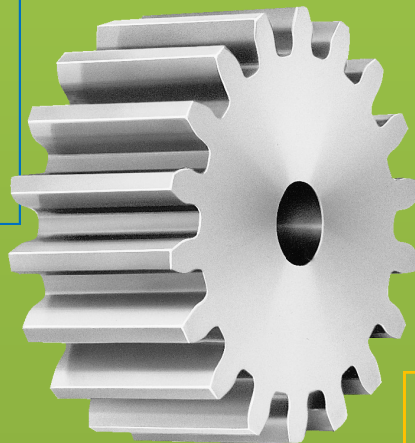
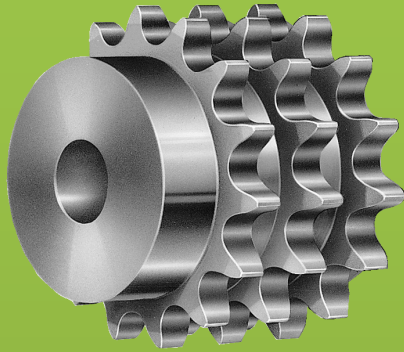


Worm Reduction Gearbox Catalogue



Muratech Engineering Company is leading manufacturing company of Reduction gearbox under brand name of 'MURACO POWER'.

The company was established in 1995. We are empowered with sophisticated machining workshop with fully integrated manufacturing facilities under one roof.

The company is equipped with machineries of world renowned manufacturers such as WMW, TOS, Recharads and indian reputed makes. In house machinery facility made the manufacturing facilities capable for delivering the highest standards in term of quality, time and client satisfaction.

Range : 1.5" [38.1mm] center to 10.5" [266.7"]

Ratio : 5:1 to 7:1 in single reduction gearbox and
100:1 to 4900:1 in Double reduction gearbox.

Gearbox Body : Made of closely grained cast iron which is completely oil tight and dust proof. Boring process done on TOS boring machine.

Worm Shaft : Made of Alloy steel and case harden, thread cutting process done on WMW thread milling machine.

Worm Wheel : Made of Pb2 [Phosphorous Bronze] material. Teeth cutting done on TOS gear hobbing machine.

Output Shaft : Made of high tensile steel.

Bearings : High quality taper roller bearing used.

Lubrication : Lubrication of the gears and bearings done by splash of oil from the sump to all rotating parts.

Oil Seals : Standard make oil seals are used.

Selection Criteria of Gear Unit

Information Required For Selection of Gear Unit

- Type of model of gear unit suitable for application
- Type of prime mover, its HP Rating and RPM
- Required reduction ratio or output RPM of gear unit
- Duration of working hours per day
- Position of output shaft either horizontal or vertical.
- Position of output shaft either Right or Left Hand with respect to input shaft or otherwise

Classification of loads & Load Factors

Type of Machine	Application	Load Factor	Type of Machine	Application	Load Factor
Agitators & Mixer	Pure liquid	U	Paper Mill	Bleacher conveyor press	MS
	Liquid & Solid	MS		Winder	HS
	Liquid with various density	MS		Calendars	HS
		Agitators		MS	
Clay Processing Machinery	Brick press	HS	Rubber & Plastic Industries	Crackers	HS
	Briquette Machine	HS		Fixing Mills	HS
	Plug Mill	MS		Laboratory Equipment	MS
Conveyors	Uniformly Loaded	US		Refiners, Extruders	MS
	Non Uniformly Loaded	MS		Sheeters, Cutting	MS
Cranes	Main Hoist	MS		Tubers and Strainers	MS
	Bridge Travel	MS	Warming Mills	MS	
Crushers	Ore, Stone	MS	Sugar	Cane Knives	MS
	Sugar	MS		Crusher	MS
	Bucket Uniform Load	U		Mill	HS
	Bucker Heavy Load	MS		Batchers	MS
Elevators	Bucket Continuous Load	U	Textile Industries	Dyeing Machinery	MS
	Centrifugal Discharge	U		Spinners, Batches	MS
	Gravity Discharge	U		Washers, Calendars	MS
Food Industries	Beet Slicer	MS		Winders	MS
	Cereal Cooker	U	Wire Making Machinery	Drawing	MS
Laundry Machines	Washers	MS		Flatting	MS
	Tumblers	MS		Winding	MS
Oil Industries	Chillers	MS	Screens	Air Washing	U
	Rotary Klins	MS		Rotary - Stone/Gravel	MS

Service Factors

Prime Mover	Duration of Service	Type of Load		
		Uniform U	Moderate Shock MS	Heavy Shock HS
Electric Motor	2	0.80	0.90	1.30
	8	0.90	1.10	1.50
	12	1.00	1.30	1.60
	24	1.30	1.50	1.80

Important Note

- Gear units are supplied without oil so ensure to fill oil before operation.
- It is recommended to use HP make ENKLO 320 oil or equivalent.
- For changing the position of the output shaft, please transfer fan and fan cover at other end of input shaft without dismantling the gear unit.
- Worm shaft thread - right hand

Input Horse Power Capacity

Worm Shaft RPM	Gear Ratio	Worm Wheel RPM	Size of Unit In Inch							
			1.125	1.75	2	2.25	2.5	3	3.5	4
1500	5:1	300	0.58	1.48	2.90	3.40	3.91	8.32	10.2	16.3
1000		200	0.53	1.28	2.20	2.60	2.99	6.37	7.60	12.7
750		150	0.44	1.10	1.90	2.20	2.53	5.17	6.30	10.7
500		100	0.36	0.80	1.30	1.70	1.96	3.10	4.70	8.30
1500	7.5:1	200	0.51	1.27	2.40	3.00	3.45	6.38	9.20	11.9
1000		133	0.46	1.11	1.80	2.30	2.65	5.05	6.80	9.50
750		100	0.38	0.90	1.50	1.90	2.19	4.30	5.50	8.10
500		66.7	0.31	0.65	1.10	1.50	1.73	2.70	4.10	6.20
1500	10:1	150	0.45	1.06	1.90	2.40	2.76	5.13	8.00	9.70
1000		100	0.39	0.89	1.50	2.10	2.42	4.07	6.30	7.90
750		75	0.33	0.80	1.30	1.70	1.96	3.37	5.20	6.50
500		50	0.27	0.59	0.90	1.40	1.61	2.00	4.00	5.00
1500	15:1	100	0.36	0.87	1.60	2.00	2.30	4.40	5.70	7.00
1000		66.7	0.29	0.69	1.20	1.50	1.73	3.42	4.50	5.50
750		50	0.25	0.60	1.00	1.30	1.50	2.82	3.70	4.70
500		33.3	0.20	0.50	0.80	0.97	1.12	1.80	2.80	3.70
1500	20:1	75	0.31	0.70	1.10	1.50	1.73	3.25	4.50	6.50
1000		50	0.24	0.57	0.88	1.20	1.38	2.50	3.50	5.00
750		37.5	0.21	0.50	0.85	1.00	1.15	2.02	3.00	4.20
500		25	0.17	0.39	0.60	0.80	0.92	1.40	2.30	3.30
1500	25:1	60	0.27	0.68	1.00	1.40	1.61	2.77	4.00	4.90
1000		40	0.22	0.54	0.80	1.10	1.27	2.15	3.00	4.30
750		30	0.19	0.46	0.72	0.95	1.09	1.80	2.50	3.70
500		20	0.15	0.37	0.50	0.74	0.85	1.10	1.90	2.90
1500	30:1	50	0.21	0.60	0.95	1.20	1.38	2.55	3.60	4.40
1000		33.3	0.18	0.48	0.78	0.98	1.13	1.97	2.80	3.70
750		25	0.16	0.42	0.67	0.82	0.94	1.61	2.30	3.10
500		16.6	0.13	0.33	0.50	0.65	0.75	1.00	1.70	2.40
1500	40:1	37.5	0.19	0.50	0.77	1.10	1.27	2.02	3.10	3.70
1000		25	0.15	0.40	0.59	0.88	1.00	1.47	2.40	3.00
750		18.7	0.13	0.35	0.62	0.72	0.83	1.25	2.00	2.50
500		12.5	0.11	0.27	0.40	0.55	0.63	0.89	1.40	1.80
1500	50:1	30	0.16	0.40	0.60	0.94	1.08	1.65	2.80	3.00
1000		20	0.13	0.31	0.46	0.75	0.86	1.22	2.20	2.40
750		15	0.11	0.28	0.40	0.60	0.69	1.01	1.70	2.00
500		10	0.09	0.20	0.30	0.46	0.53	0.68	1.10	1.60
1500	60:1	25	0.10	0.33	0.51	0.81	0.93	1.27	2.50	2.70
1000		16.6	0.10	0.28	0.40	0.58	0.67	1.00	1.90	2.10
750		12.5	0.08	0.24	0.37	0.46	0.53	0.84	1.50	1.70
500		8.3	0.06	0.19	0.25	0.33	0.38	0.57	1.00	1.40
1500	70:1	21.4	0.10	0.30	0.47	0.61	0.70	1.22	1.80	2.50
1000		14.3	0.09	0.24	0.35	0.51	0.59	0.94	1.50	2.00
750		10.7	0.07	0.21	0.30	0.40	0.46	0.77	1.20	1.70
500		7.14	0.05	0.17	0.20	0.28	0.32	0.50	0.80	1.40

- All Dimensions are in mm
- Dimension are subject to change without prior notice

Input Horse Power Capacity

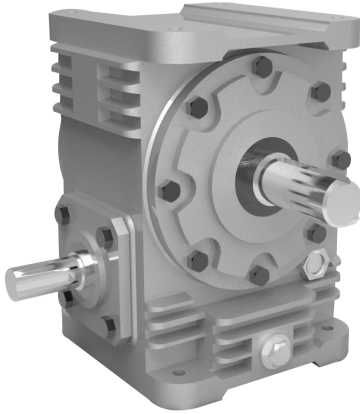
Delivering Quality Since 1997

Worm Shaft RPM	Gear Ratio	Worm Wheel RPM	Size of Unit In Inch							
			5	6	7	8	9	10.5	12	14
1500	5:1	300	27.6	43.7	59.0	78.5	93.1	122	131	177
1000		200	21.3	31.0	44.4	57.2	72.8	84.4	98.9	128
750		150	17.3	24.3	36.5	45.9	58.2	65.0	80.0	99.0
500		100	13.1	17.5	26.4	32.2	42.7	42.7	59.4	67.9
1500	7.5:1	200	21.3	32.0	46.6	66.9	76.6	110	121	164
1000		133	17.1	24.3	34.4	50.7	60.1	78.6	90.8	119
750		100	14.4	19.9	28.5	41.1	49.5	60.1	73.0	95.0
500		66.7	11.1	14.7	21.3	30.1	37.8	39.8	53.5	63.1
1500	10:1	150	19.3	26.7	36.3	58.7	61.1	103	108	156
1000		100	15.0	20.7	29.9	43.5	49.5	70.8	80.9	116
750		75	12.4	17.0	23.7	34.9	41.7	56.3	65.5	90.2
500		50	9.40	12.9	17.8	25.7	33.0	35.9	48.5	64.0
1500	15:1	100	11.6	21.8	29.5	40.1	47.5	78.6	88.5	134
1000		66.7	9.00	16.7	22.9	29.8	37.8	56.3	64.8	94.1
750		50	7.70	13.6	17.9	24.3	32.0	42.7	51.9	70.8
500		33.3	5.90	11.1	13.0	18.2	24.8	29.1	38.3	48.5
1500	20:1	75	11.1	17.1	22.3	28.7	37.8	57.2	71.1	110
1000		50	8.30	13.1	17.4	23.4	30.1	44.6	52.4	80.5
750		37.5	7.0	10.9	14.1	19.6	24.7	34.9	42.0	61.0
500		25	5.30	8.20	10.5	14.5	19.8	25.2	30.7	41.7
1500	25:1	60	9.40	14.8	20.7	27.1	33.0	53.4	62.1	93.1
1000		40	6.80	11.3	15.9	20.8	26.6	38.8	46.5	67.9
750		30	5.60	9.00	12.8	17.0	22.0	30.1	36.9	51.4
500		20	4.40	6.60	9.40	12.0	16.7	20.4	26.7	34.9
1500	30:1	50	8.00	12.1	18.3	25.4	28.3	41.7	53.1	79.5
1000		33.3	5.90	9.70	13.6	20.0	24.1	34.9	39.8	56.3
750		25	5.00	8.00	11.4	16.3	19.2	25.2	31.7	42.7
500		16.6	3.90	6.10	8.40	11.4	14.5	18.0	23.6	30.1
1500	40:1	37.5	6.20	10.1	14.9	18.5	22.9	34.9	43.2	62.1
1000		25	4.80	7.70	11.1	14.3	17.8	26.2	31.8	46.6
750		18.7	4.10	6.10	8.90	11.7	15.1	19.4	25.4	34.0
500		12.5	3.10	4.90	6.60	8.90	11.5	13.7	18.6	24.3
1500	50:1	30	5.20	8.50	13.0	17.6	21.0	27.2	36.0	51.0
1000		20	4.00	6.50	10.0	12.8	15.7	23.3	26.8	37.8
750		15	3.30	5.50	8.10	10.3	13.1	17.4	21.3	26.2
500		10	2.60	4.20	5.70	7.60	9.80	11.3	15.6	19.0
1500	60:1	25	4.30	7.10	10.5	17.0	19.1	24.3	31.2	43.7
1000		16.6	3.30	5.30	8.20	12.6	14.5	17.8	22.8	32.0
750		12.5	2.80	4.50	6.90	10.0	12.4	14.8	18.2	23.3
500		8.3	2.10	3.40	5.30	7.20	9.70	10.3	13.6	17.0
1500	70:1	21.4	3.80	6.00	9.30	11.8	14.6	18.5	26.4	36.9
1000		14.3	2.80	4.60	7.30	9.30	11.6	14.7	19.9	28.1
750		10.7	2.40	4.00	5.90	7.70	10.4	11.5	16.1	20.4
500		7.14	1.90	3.00	4.50	5.90	8.40	8.10	12.2	14.7

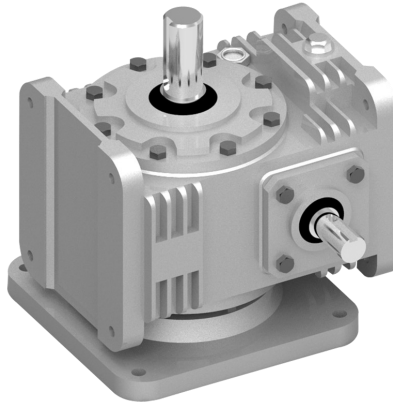
- All Dimensions are in mm
- Dimension are subject to change without prior notice

Worm Reduction Gearbox

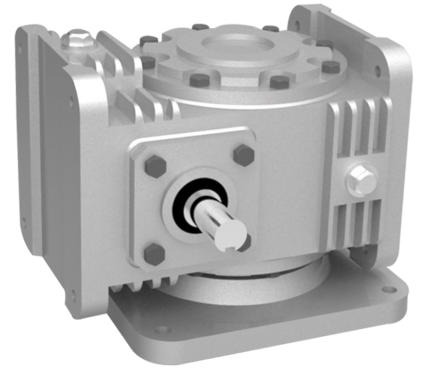
NU Type Worm Reduction Gearbox



NUH

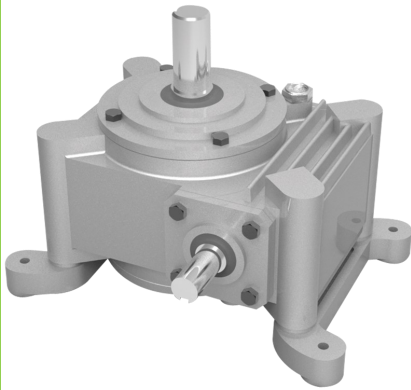


NUVU

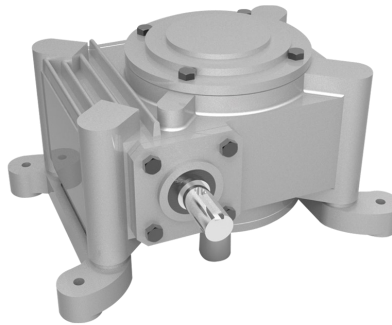


NUVD

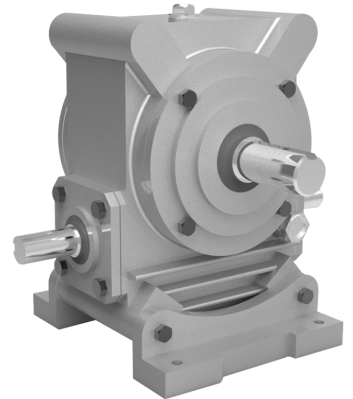
Adaptable Type Worm Reduction Gearbox



AUVU

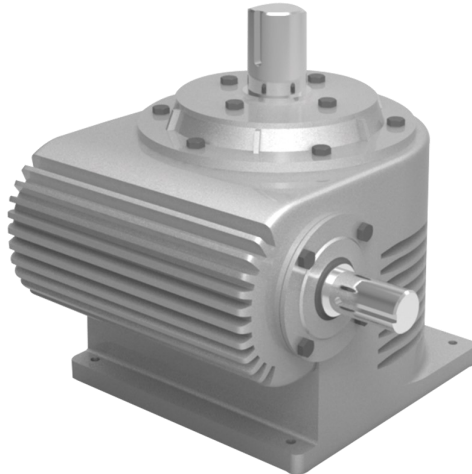


AVR D



AHR

Vertical Type Worm Reduction Gearbox



VMO-U



VMO-D

Worm Reduction Gearbox



Delivering Quality Since 1997

NU Hollow Type Worm Reduction Gearbox



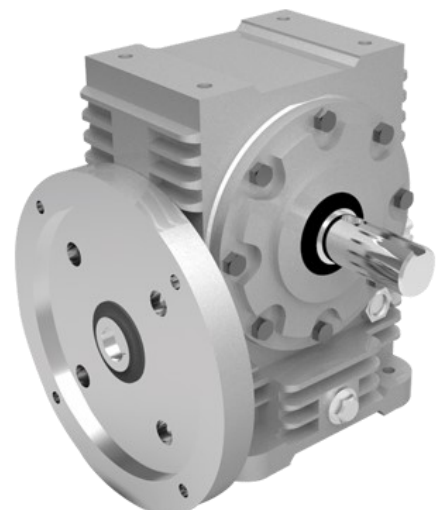
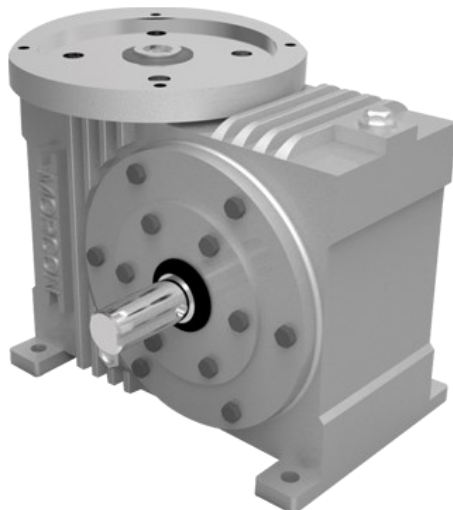
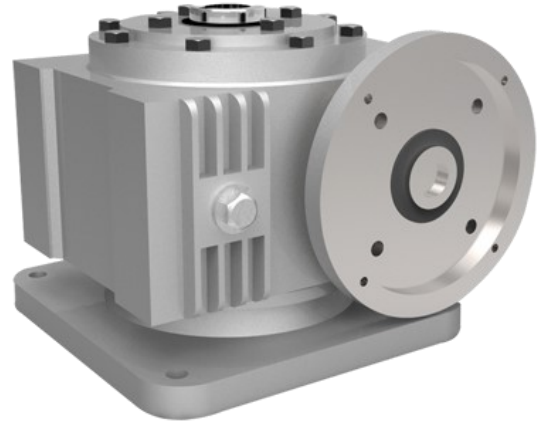
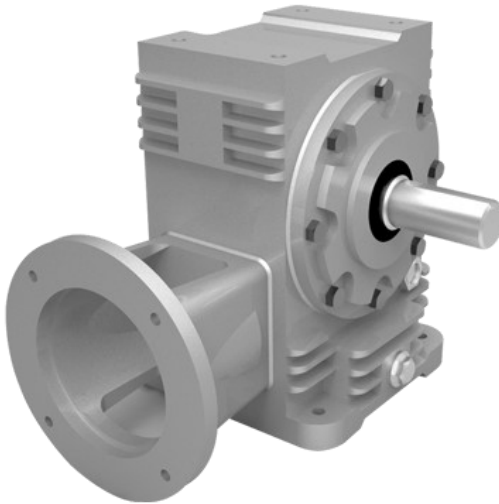
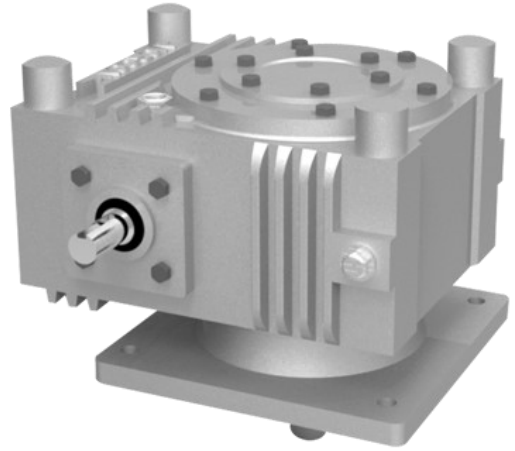
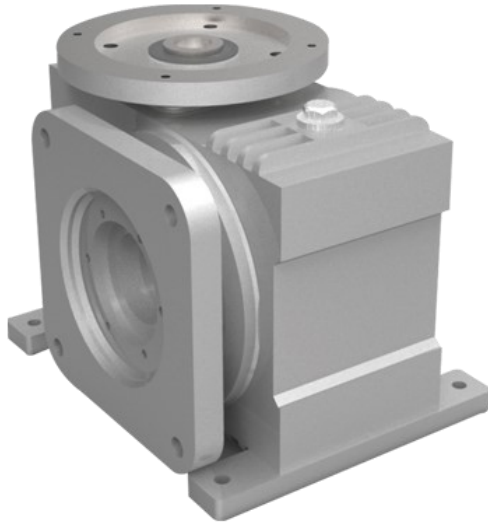
NU HOLLOW

HMO Type Worm Reduction Gearbox



HMO

Reduction Gearbox Models





Delivering Quality Since 1997



Muratech Engineering Company

**MANUFACTURER OF MECHANICAL POWER
TRANSMISSION PRODUCTS**

Address : Plot No. S5 & S6, Siddhivinayak industrial estate,
Near odhav police station, Odhav G.I.D.C., odhav,
Ahmedabad-382415, Gujarat, India.

Web : www.muracopower.co.in

Email : muracopower@hotmail.com / info@muracopower.co.in

Phone : +91 95868 23032 / +91 98253 48476 / +91 99745 83383